

Sirene rotanti RS-ETS30

Rotary sirens RS-ETS30



RS-ETS30 Le sirene serie RS-ETS30 vengono impiegate in atmosfere potenzialmente esplosive, come impianti chimici, raffinerie, stazioni di pompaggio e nei luoghi dove può esserci presenza di polveri quali i silos di stoccaggio.

La versione standard è costituita da un corpo in lega di alluminio a basso tenore di rame e da una calotta copri girante in acciaio inox AISI 316L.

Le versioni in ghisa EN-GJL-200 ed in acciaio inox AISI 316L sono certificate per il Gruppo I e, quindi, atte ad essere utilizzate in miniere e gallerie oltre che in ambienti marini, piattaforme off-shore e ambienti chimici ad alta aggressività ambientale.

Le ridotte dimensioni le rendono adatte ad equipaggiare i quadri elettrici di comando-controllo.

La possibilità di fissaggio con staffa in acciaio inox AISI 316L in quattro differenti posizioni, ognuna ruotata di 90° rispetto all'asse longitudinale, le rendono adatte alle varie esigenze di installazione.

RS-ETS30 *The RS-ETS30 series rotary sirens are used in potentially explosive environments, such as chemical plants, oil refineries, pump stations and in places where dust may be present such as storage silos.*

The standard version is composed of a body made of an aluminum alloy with low copper content and an impeller cover cap in stainless steel AISI 316L.

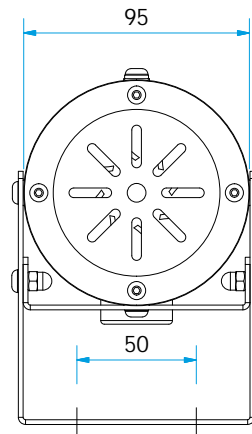
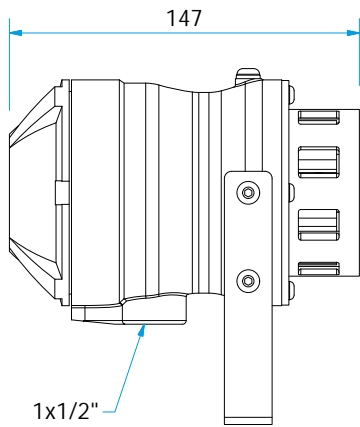
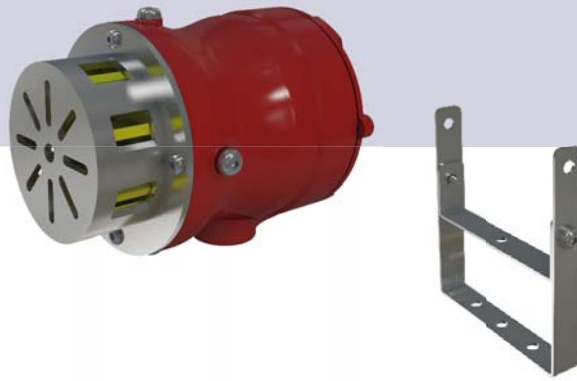
The EN-GJL-200 cast iron and AISI 316L stainless steel models are certified for Group I and therefore suitable for use in mines and tunnels.

These models are also suitable for marine environments, offshore platforms and chemical areas with highly aggressive environments.

Its compact dimensions make it suitable for equipping the control-command switchboards.

The possibility of mounting with AISI 316L stainless steel brackets in four different positions, each rotated 90° with respect to the longitudinal axis, make it suitable for various installation requirements.

RS-ETS30
lega di alluminio
aluminum alloy



QUOTE IN MM // DIMENSIONS IN MILLIMETERS

articoli//items


ITEM CODE	POWER SUPPLY V	WORKING CURRENT A	FREQUENCY Hz	POWER CONSUMPTION W	ACOUSTIC FREQUENCY Hz	SOUND OUTPUT dB@1m	WEIGHT KG
RS-ETS-30-AL-12	12V AC DC	2,8	50/60	33,6	1600	102	1,4
RS-ETS-30-AL-22	24V AC DC	1,5	50/60	36	1600	102	1,4
RS-ETS-30-AL-32	48V AC DC	0,8	50/60	38,4	1650	102	1,4
RS-ETS-30-AL-52	110V AC DC	0,45	50/60	49,5	1500	100	1,4
RS-ETS-30-AL-62	230V AC DC	0,24	50/60	55,2	1600	102	1,4

accessori su richiesta//accessories on request

- > Differenti colori // *Different housing colors available*
- > Staffa di supporto AISI 316L // *ST. ST. 316L mounting bracket*
- > Pressacavo // *Cable gland*

RS-ETS30
lega di alluminio
aluminum alloy

certificazioni//certification data

CLASSIFICATION	GROUP II	CATEGORY 2GD
INSTALLATIONS	ZONE 1 – ZONE 2 (GAS)	ZONE 21 – ZONE 22 (DUST)
MARKING	CE  II 2G Ex d IIC T6 Gb	II 2D Ex t IIIC T85°C Db
CERTIFICATION	ATEX ISSEP 08 ATEX 004X	
STANDARDS	EN 60079-0 IEC 60079-0 EN 60079-1 IEC 60079-1 EN 60079-31 IEC 60079-31 AND EUROPEAN DIRECTIVE 34/14/UE : 2014	
CLASS TEMPERATURE	85°C (T6)	
AMBIENT TEMPERATURE	-50°C +50°C	
DEGREE OF PROTECTION	IP66	

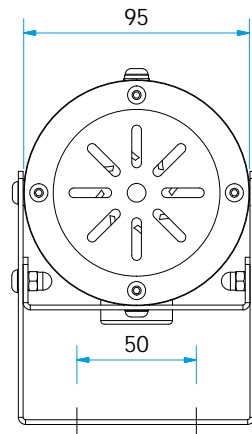
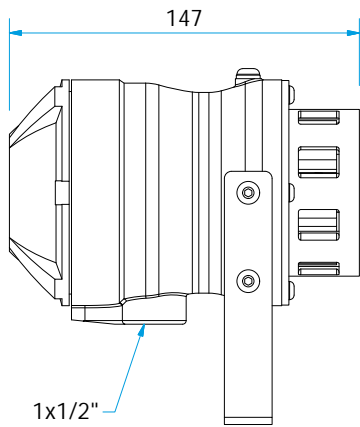
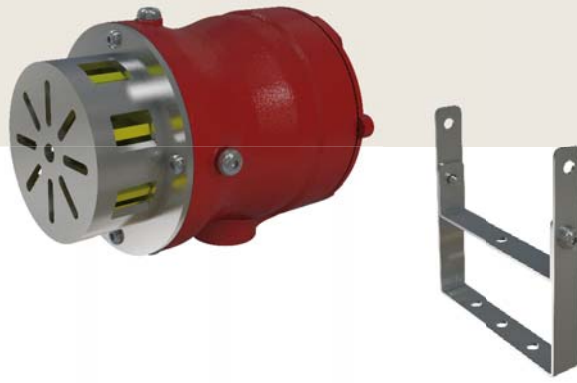
caratteristiche meccaniche//mechanical features

BODY AND COVER	LOW COPPER CONTENT ALUMINUM ALLOY
PROTECTION	ST. ST. 316L CAGE
SPEAKER HORN	CHROME ABS
GASKET	SILICONE ACID/HYDROCARBON RESISTANT
BOLT AND SCREWS	ST. ST. A2
ENTRY	DIRECT 1/2"
ENTRIES	1/2" 7/1 – NPT – M20 X 1.5 THREADED
HOUSING FINISH	EPOXY COATING STANDARD RAL 3000 (RED) OR RAL 7000 (GREY) ON REQUEST

caratteristiche elettriche//electrical features

POWER SUPPLY	12-24-48-110-230V
SOUND OUTPUT	102 dB
FREQUENCY	50/60 Hz
SERVICE	INTERMITTENT PERIODIC DUTY S3-1'ON/ 10'OFF

RS-ETS30
ghisa
cast iron



QUOTE IN MM // DIMENSIONS IN MILLIMETERS


articoli//items

ITEM CODE	POWER SUPPLY V	WORKING CURRENT A	FREQUENCY Hz	POWER CONSUMPTION W	ACOUSTIC FREQUENCY Hz	SOUND OUTPUT dB@1m	WEIGHT KG
RS-ETS-30-CI-12	12V AC DC	2,8	50/60	33,6	1600	101	2,52
RS-ETS-30-CI-22	24V AC DC	1,5	50/60	36	1600	102	2,52
RS-ETS-30-CI-32	48V AC DC	0,8	50/60	38,4	1650	102	2,52
RS-ETS-30-CI-52	110V AC DC	0,45	50/60	49,5	1500	100	2,52
RS-ETS-30-CI-62	230V AC DC	0,24	50/60	55,2	1600	102	2,52

accessori su richiesta//accessories on request

- > Differenti colori // Different housing colors available
- > Staffa di supporto AISI 316L // ST. ST. 316L mounting bracket
- > Pressacavo // Cable gland

certificazioni//certification data

CLASSIFICATION	GROUP I
MARKING	CE  I M2 Ex d I Mb
CERTIFICATION	ATEX ISSEP 08 ATEX 004X
STANDARDS	EN 60079-0 IEC 60079-0 EN 60079-1 IEC 60079-1 EN 60079-31 IEC 60079-31 AND EUROPEAN DIRECTIVE 34/14/UE : 2014
CLASS TEMPERATURE	85°C (T6)
AMBIENT TEMPERATURE	-50°C +50°C
DEGREE OF PROTECTION	IP66

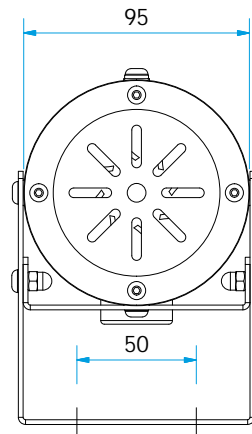
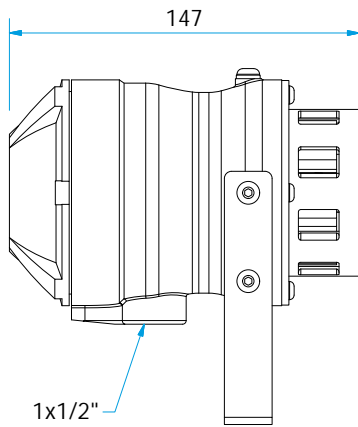
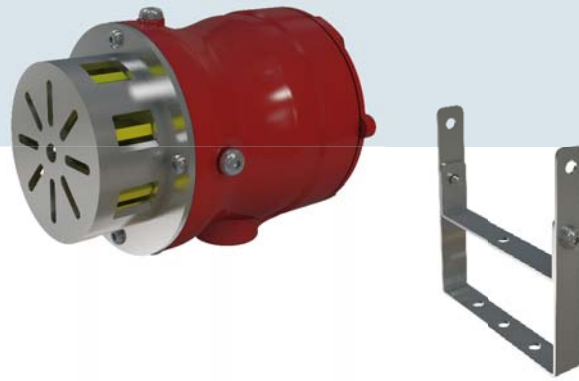
caratteristiche meccaniche//mechanical features

BODY AND COVER	CAST IRON
PROTECTION	ST. ST. 316L CAGE
GASKET	SILICONE ACID/HYDROCARBON RESISTANT
BOLT AND SCREWS	ST. ST. A2
ENTRY	DIRECT 1/2"
ENTRIES	1/2" 7/1 – NPT – M20 X 1.5 THREADED
HOUSING FINISH	EPOXY COATING STANDARD RAL 3000 (RED) OR RAL 7000 (GREY) ON REQUEST

caratteristiche elettriche//electrical features

POWER SUPPLY	12-24-48-110-230V
SOUND OUTPUT	102 dB
FREQUENCY	50/60 Hz
SERVICE	INTERMITTENT PERIODIC DUTY S3-1'ON/ 10'OFF

RS-ETS30
acciaio inox
stainless steel



QUOTE IN MM // DIMENSIONS IN MILLIMETERS

articoli//items


ITEM CODE	POWER SUPPLY V	WORKING CURRENT A	FREQUENCY Hz	POWER CONSUMPTION W	ACOUSTIC FREQUENCY Hz	SOUND OUTPUT dB@1m	WEIGHT KG
RS-ETS-30-SS-12	12V AC DC	2,8	50/60	33,6	1600	101	2,53
RS-ETS-30-SS-22	24V AC DC	1,5	50/60	36	1600	102	2,53
RS-ETS-30-SS-32	48V AC DC	0,8	50/60	38,4	1650	102	2,53
RS-ETS-30-SS-52	110V AC DC	0,45	50/60	49,5	1500	100	2,53
RS-ETS-30-SS-62	230V AC DC	0,24	50/60	55,2	1600	102	2,53

accessori su richiesta//accessories on request

- > Differenti colori // Different housing colors available
- > Staffa di supporto AISI 316L // ST. ST. 316L mounting bracket
- > Pressacavo // Cable gland

RS-ETS30
acciaio inox
stainless steel

certificazioni//certification data

CLASSIFICATION	GROUP I
MARKING	CE  I M2 Ex d I Mb
CERTIFICATION	ATEX ISSEP 08 ATEX 004X
STANDARDS	EN 60079-0 IEC 60079-0 EN 60079-1 IEC 60079-1 EN 60079-31 IEC 60079-31 AND EUROPEAN DIRECTIVE 34/14/UE : 2014
CLASS TEMPERATURE	85°C (T6)
AMBIENT TEMPERATURE	-50°C +50°C
DEGREE OF PROTECTION	IP66

caratteristiche meccaniche//mechanical features

BODY AND COVER	STAINLESS STEEL 316L
PROTECTION	ST. ST. 316L CAGE
GASKET	SILICONE ACID/HYDROCARBON RESISTANT
BOLT AND SCREWS	ST. ST. A4
ENTRY	DIRECT 1/2"
ENTRIES	1/2" 7/1 – NPT – M20 X 1.5 THREADED
HOUSING FINISH	EPOXY COATING STANDARD RAL 3000 (RED) OR RAL 7000 (GREY) ON REQUEST

caratteristiche elettriche//electrical features

POWER SUPPLY	12-24-48-110-230V
SOUND OUTPUT	102 dB
FREQUENCY	50/60 Hz
SERVICE	INTERMITTENT PERIODIC DUTY S3-1'ON/ 10'OFF



A.E.S. sas

Apparecchiature Elettriche di Sicurezza

1, via per Sant'Angelo

20098 San Giuliano Milanese (MI) Italia

tel./fax (+39) 0298.341.37

info@aes-antideflagranti.it

www.aes-antideflagranti.it